



NSAI

ANNUAL REPORT 2020

NSAI TECHNICAL COMMITTEES
NSAI TC 19 – ENERGY
PERFORMANCE OF BUILDINGS

Contents

1	Introduction.....	3
2	Scope of TC	3
3	Membership	4
4	Summary of 2020 Activities	4
4.1	Meetings.....	4
4.2	International/Regional Voting Results.....	4
5	Key issues for attention	5
6	Recommendation.....	5

1 Introduction

NSAI/TC 19 – Energy performance of buildings is the Irish National committee which mirrors the work of the European standards committee CEN/TC 371.

2 Scope of TC

The scope of NSAI/TC 19 reflects the work of CEN/TC 371 which is concerned with standardization related to the energy performance of buildings (EPB).

TABLE 1 - COMMITTEES MONITORED WITHIN NSAI/TC 19

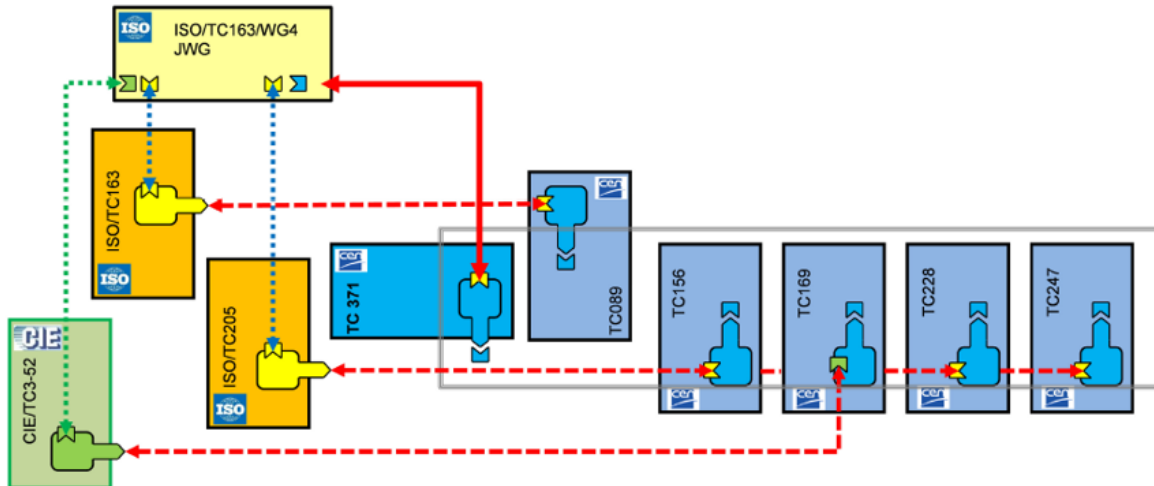
Committee Name	Committee Title
CEN/TC 371	Energy performance of buildings

CEN/TC 371 supports the implementation of the European Commission’s standardizations request M480, for the elaboration and adoption of standards for a methodology calculating the integrated energy performance of buildings in accordance with the terms set out in the recast of the directive on the energy performance of buildings (2010/31/EU) E, which includes the following energy services:

- Heating
- Ventilation
- Cooling
- Domestic hot water
- Lighting

These service areas are dealt with through the 5 technical committees listed below. with CEN/TC 371 acting as an overall coordinating committee and in providing guidance and requirements to be met by EPB standards.

CEN TC 89 (Thermal performance)	Not mirrored by NSAI
CEN TC 156 (Ventilation for buildings)	Mirrored by TC 31/SC 4 (ventilation for buildings) but committee not active
CEN TC 169 (light and lighting)	Only emergency lighting WG mirrored by NSAI/TC 16/WG 05
CEN TC 228 (Heating and cooling)	Mirrored by TC 31 (Building services committee)
CEN TC 247 (Building automation)	Not mirrored by NSAI



Cooperation between CEN and ISO TCs dealing with EPB-standards

To support the implementation of these European EPB standards in Ireland, NSAI has produced National Forewords to the overarching standards while the Sustainable Energy Authority of Ireland (SEAI) has developed national annexes for the overarching standards developed under M/480.

3 Membership

There are a total of 8 committee members, Not including NSAI Secretariat.

The below organisations are represented on the committee.

Organisation Represented	Role
Department of Housing	Committee Member
SEAI	Committee Member
Aereco	Committee Member
Irish Concrete Federation	Committee Member
NSAI	Committee Member

4 Summary of 2020 Activities

4.1 Meetings

Committee members did not attend any CEN meetings in 2020. There have been no national meetings or activity within this committee for a number of years.

4.2 International/Regional Voting Results

NSAI/TC 19 had no voting activity in 2020.

5 Key issues for attention

A revision of the Energy Performance of Buildings Directive is due by the end of 2021.

6 Recommendation

It is recommended that NSAI/TC 19 remain as an e-committee for now. Current investigation of potential for the restructuring of other NSAI committees may provide an opportunity to incorporate the monitoring of CEN/TC 371 into a larger and more active committee.